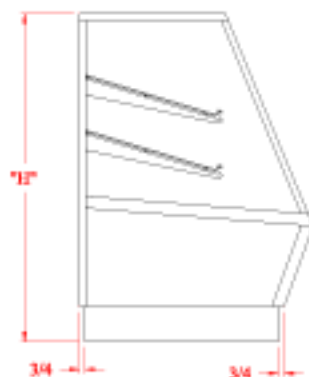


# 95000 Series Donut Cases



## Features & Finishes:

- Anodized Aluminum Frame
- Tempered Glass Front
- Glass End & Top
- Aluminum Framed Glass Door (31" Hinged)(60" Sliding)
- White Wire Shelves, 17° Slanted (42" H-2)(50" H-3)
- Open Rear Storage
- Standard LPL Finish Base
- 4-1/2" Black Kick
- White HPL Deck - Sloped
- White Interior Storage
- Top Light with Lamp and Shield
- 12" Cord, Plug and Switch
- U.L. and C.U.L. Listed



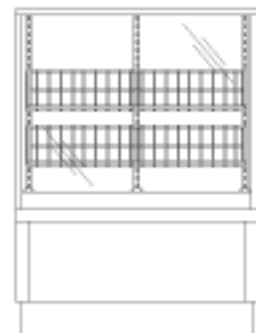
End View



Top View



Front View



Rear View

Model No.	Dimensions: L X D X W	Rows of Shelves	Est. Crated Weight	Case Options:
95042-31	31" x 30" x 42"	2	270 lbs.	1. "ETL" Sanitation Listed (Conforms to NSF STD-2) 2. Mirror Doors 3. Std. HPL Finish Base 4. Mirror Ends 5. Side Lights with Lamps and Shields 6. Clear Acrylic Hinged Front Doors (31"L) 7. Casters or Legs (Adds 7 1/2" to Total Height)
95042-60	60" x 30" x 42"	2	485 lbs.	
95050-31	31" x 30" x 50"	3	280 lbs.	
95050-60	60" x 30" x 50"	3	495 lbs.	

**TRIO**  
RETAIL DESIGN  
& EQUIPMENT

955 Turquoise Street  
San Diego, CA 92109

Local 1-858-539-7550  
Fax 1-858-539-0088  
Email: [info@triodisplay.com](mailto:info@triodisplay.com)

[www.triodisplay.com](http://www.triodisplay.com)