

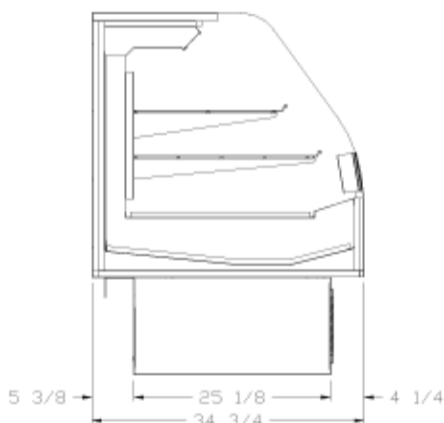
94000-ROF Series Refrigerated Open Front Display Cases



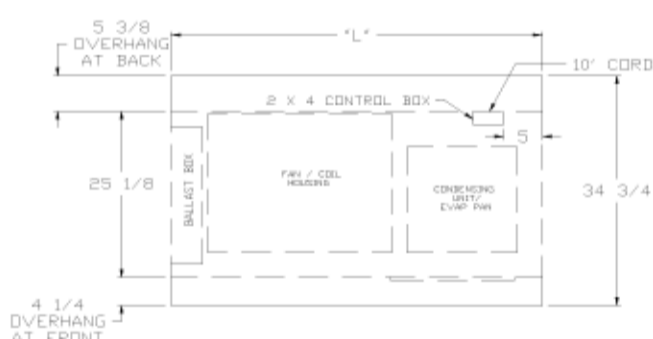
Features & Finishes:	
•	16" Wide Solid Top Work Surface
•	Adjustable Heavy Duty White Wire Shelves (1-12" & 1-18")
•	Top Light with Lamp & Shield
•	White HPL Exterior Finish
•	Heavy Duty Steel Base
•	Rear Grille
•	Self-Contained Refrigeration Unit in Base
•	120 Volts - 60 Cycle - Single Phase
•	1/2 HP - 12 amps (36")
•	3/4 HP - 16 amps (48")
•	Cord, Plug, & Switch (36"-15 amp. Plug)(48"-20 amp. Plug)
•	U.L. & C.U.L. Listed
•	"ETL" Sanitation Listed (Conforms to NSF STD-7)



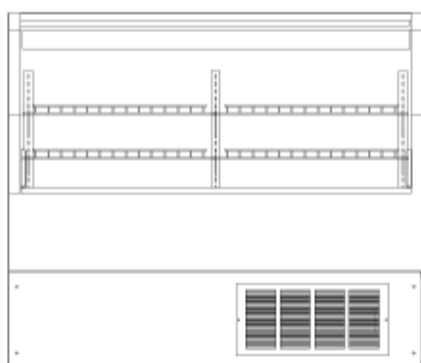
94000-ROF Series Refrigerated Open Front Display Cases



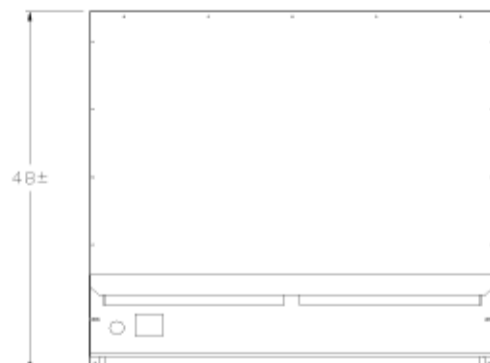
End View



Plan View



Front View



Back View

Model No.	Dimensions: L X D X W	Rows of Shelves	Est. Crated Weight	Case Options:
94048-36ROF	36" X 34 3/4" X 48"	2	520 lbs.	1. Casters or Legs (Adds 7 1/2" to total height) 2. Top Mount Non-Refrigerated Merchandiser 3. 4-Yr Extended Motor/Compressor Parts Warranty
94048-48ROF	48" X 34 3/4" X 48"	2	580 lbs.	

Designed to Operate in a 75° F Ambient and a 55% Relative Humidity Environment

Specifications Subject to change without notice

