

91000-R Series Refrigerated Bakery Display Cases



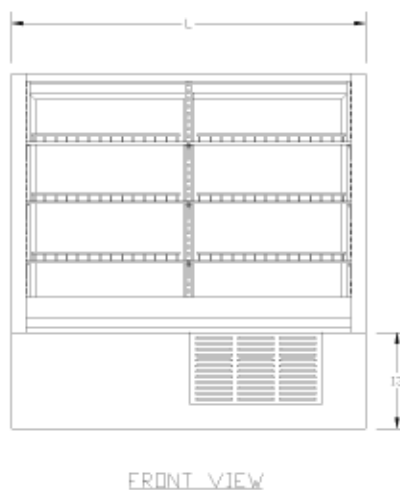
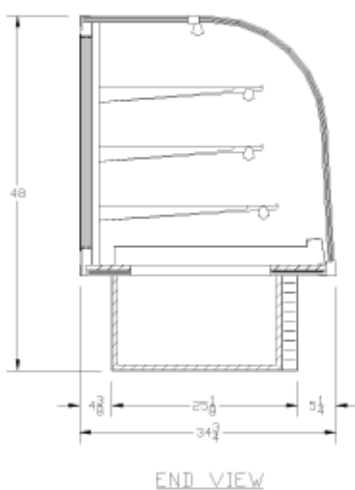
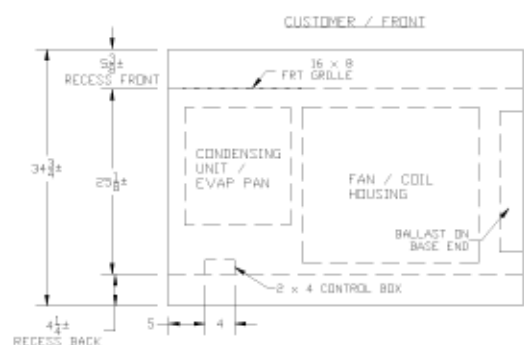
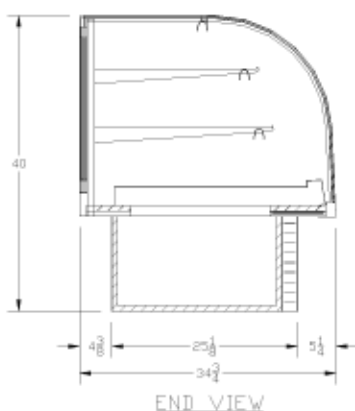
Features & Finishes:

- Insulated Curved Front Glass
- Insulated Glass Ends & Tops
- Framed, Sliding, Insulated, Tempered Glass Doors
- Top Light with Lamp & Shield
- Shelf Lights with Lamps & Shields (48R, 59R, 77R Only)
- Heavy Duty Deck - White Finish
- Heavy Duty Steel Base - Black Base
- White Wire Shelves (40"H-2)(48"H-3)
- Self-Contained Air Cooling Unit in Base
- Refrigeration Unit Removable for ease of Maintenance & Cleaning
- 120 Volt - 60 Cycle - Single Phase
- 1/3 HP - 10 Amps. (36R)
- 1/2 HP - 12 Amps. (48R, 59R, 77R)
- Automatic, Energy Saving, Condensate Evaporator
- 10' Cord, Plug, & Switch
- U.L. & C.U.L. Listed
- "ETL" Sanitation Listed (Conforms to NSF STD 7)

Designed to Operate in a Controlled Environment of 75° F Ambient / 55% Relative



91000-R Series Refrigerated Bakery Display Cases



Model No.	Dimensions: L X D X H	Rows of Shelves	Est. Crated Weight	Pan Capacity	Case Options:
91040-36R	36" x 34 3/4" x 40"	2	680 lbs.	9 Half	1. Brasstone or Black Finishes (Frame & Lights Only) 2. Mirror Door 3. Transparent Mirror Doors 4. Std. HPL Finish Base 5. Mirror Ends 6. Remote Compressor (Shipped Separately) 7. Casters or Legs (Adds 7 1/2" to Total Height) 8. 4 - Yr. Extended Motor/Compressor Part Warranty
91040-48R	48" x 34 3/4" x 40"	2	730 lbs.	6 Full	
91040-59R	59" x 34 3/4" x 40"	2	780 lbs.	9 Full	
91040-77R	77" x 34 3/4" x 40"	2	880 lbs.	12 Full	
91048-36R	36" x 34 3/4" x 48"	3	700 lbs.	12 Half	
91048-48R	48" x 34 3/4" x 48"	3	760 lbs.	8 Full	
91048-59R	59" x 34 3/4" x 48"	3	800 lbs.	12 Full	
91048-77R	77" x 34 3/4" x 48"	3	900 lbs.	16 Full	

Specifications Subject to change without notice